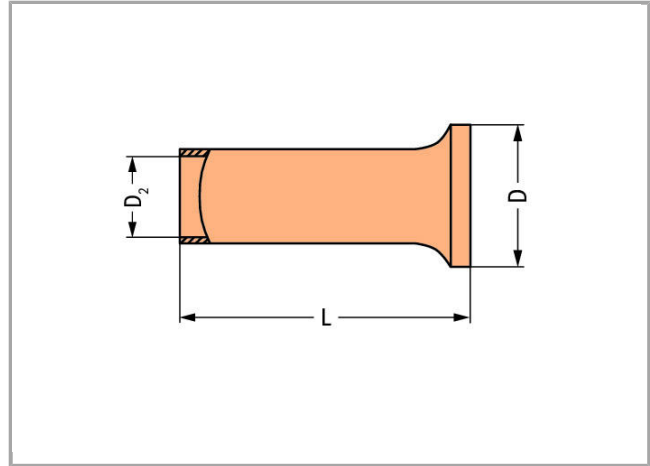
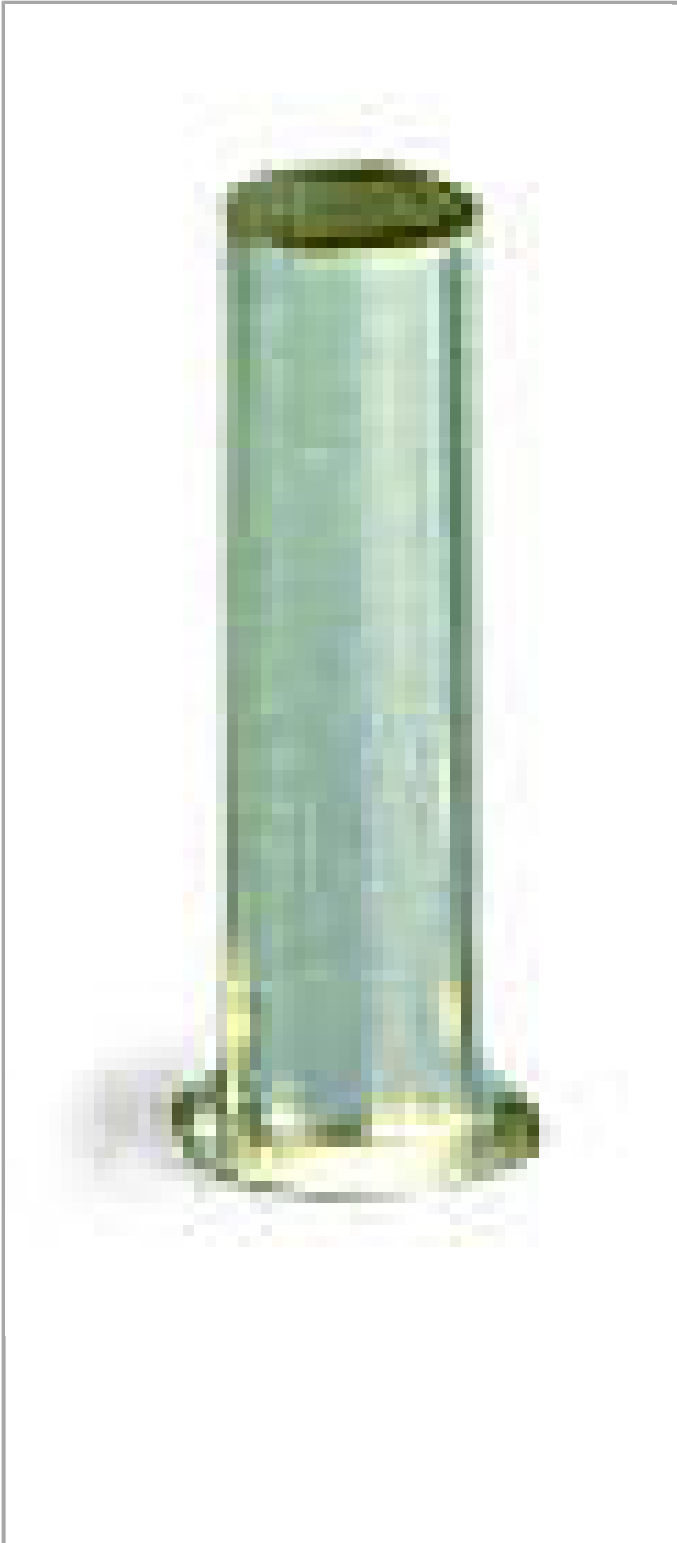


Data sheet | Item number: 216-121

Ferrule; Sleeve for 0.5 mm<sup>2</sup> / AWG 22; uninsulated; electro-tin plated



216-121



RoHS   
Compliant**Data****Technical Data**

Main product function	Ferrule
Querschnitt Hülse AWG	20 AWG
Hülse für	0.5 mm <sup>2</sup>

**Connection data**

Strip length	6 mm / 0.24 inch
--------------	------------------

**Geometrical Data**

Length	6 mm
Diameter	2.1 mm
Diameter 2	1 mm

**Material Data**

Weight	0.031 g
--------	---------

**Commercial data**

Product Group	2 (Terminal Block Accessories)
Country of origin	DE
GTIN	4017332277600
Customs Tariff No.	85369010000

**Downloads****Documentation****Bid Text**

216-121	doc 24.6 kB	Download
---------	----------------	----------



Subject to changes.

---